

Paper shredding machine JBF DC 42/35

Paper shredding machine JBF DC 42/35, developed for flexible and mobile applications.



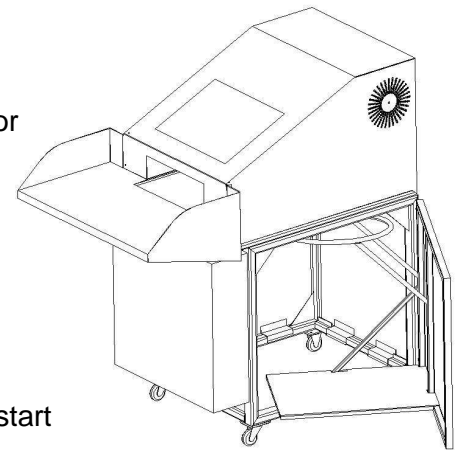
This machine combines the advantages of a stationary heavy duty shredder with the flexibility of a department shredder.

With its reduced machine width the shredder matches trouble-free through all standard doors.

The assembled guide rollers allow a mobile use also inside of rooms and buildings

The integrated safety devices assure the highest safety for the operator.

Safety switch stops machine when door is opened.
An integrated level control sensor stops machine when the container is full (optional)

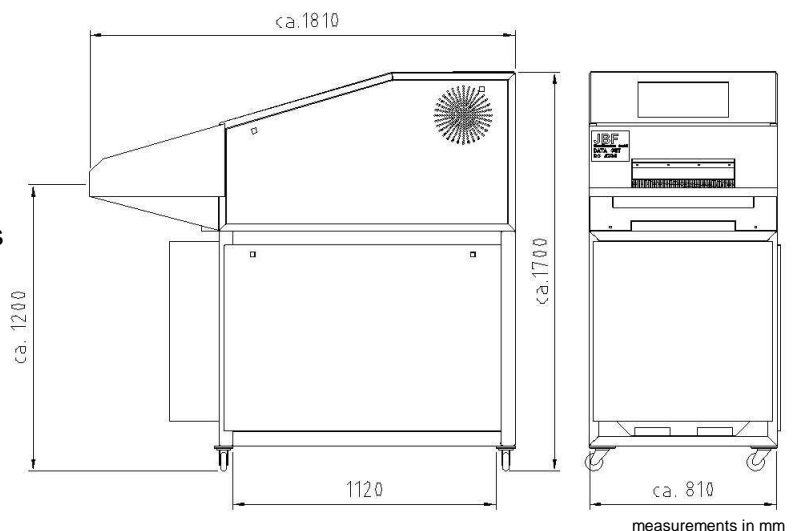


ADVANTAGES: simple operation

- shredding of single paper sheets, crumbled paper and all standard endless paper formats by the working width of 420 mm
- ergonomic design of the infeeding area
- electronic overload protection with reversing circuit and automatic re-start
- central lubrication device
- machine table made out of scratch resistant stainless steel for an easy movement of the material
- collection of the shredded material with a PE-bag (240 Ltr.) or a container (300 Ltr.)

TECHNOLOGY:

- optimised capacity assured by the design of the knife-shafts and the integration of dosage-paddle
- technology of the reversing-circuit-control with automatic restart guarantees a maximum capacity
- low noise because the low speed rotating cutting shafts are mounted in a sturdy, bolted machine frame



Technical data JBF DC42/35 for a defined shredding of data protected material according to DIN 32 757-1:

particle size	6 x 50 mm cross cut		
working width	420 mm	power supply	400 V
cutting capacity	up to 160 sheets	motor power	5.4 kW
collection of shredded material	300 l-container or 240-l-PE-bag	machine weight	600 kg